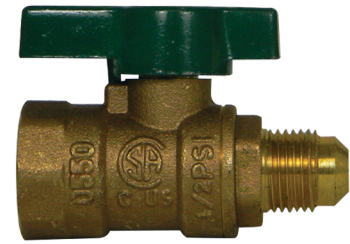


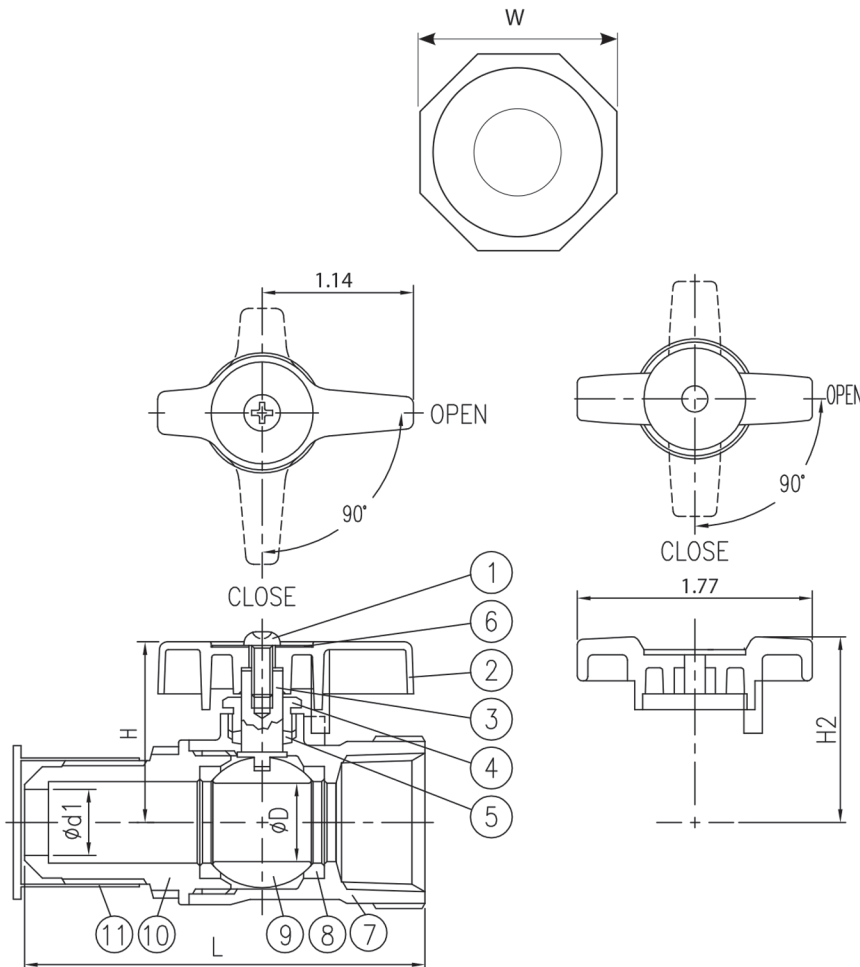
SUBMITTAL DATA SHEET

Forged Brass Low Pressure Gas Valve - Ball Style - Gas Only Gas Ball Valve - 10712

Inlet: FNPT Thread, Outlet: Flare



A.Y. McDonald Mfg. Co. **Gas Ball Valves** are constructed of heavy duty forged brass. They are designed for residential, commercial, and industrial use in low pressure gas applications. Valves listed are suitable for use with natural, manufactured, mixed and LP gases and with LP gas - air mixtures.



Dimensions

Size	L	H	D	d1	H2	W
1/2" x 3/8"	2.44	1.22	0.39	0.28	1.30	1.062
1/2" x 1/2"	2.52	1.22	0.39	0.39	1.30	1.062
1/2" x 5/8"	2.83	1.22	0.39	0.50	1.30	1.062
3/4" x 5/8"	3.03	1.38	0.59	0.50	1.42	1.062

Materials

No.	Part	Material
1	Screw	Steel
2	Handle	Zinc Alloy
3	Stem	Brass
4	Stem Gland Screw	Brass
5	Gland Packing	Teflon
6	Name Plate	
7	Body	Forged Brass
8	Ball Disc Packing	Teflon
9	Ball Disc	Chrome Plated Brass
10	End Plug	Forged Brass
11	Thread Cover	Plastic

SUBMITTAL INFORMATION

- Sizes: 1/2" x 3/8", 1/2" x 1/2", 1/2" x 5/8", 3/4" x 5/8"
- Ambient working temp. = -40°F to 125°F
- 1/4 turn operation
- 2 piece forged brass body
- Blow out proof stem

Valves manufactured to:

B16.44 5 PSIG

Z21.15 1/2 PSIG

842 5 PSIG



Non-Potable
Use Only

NO-LEAD: The weighted average of the wetted surface of this no-lead product contacted by consumable water contains less than one quarter of one percent (0.25%) lead.



A.Y. McDonald Mfg. Co.
P.O. Box 508
Dubuque, IA 52004-0508

Toll Free: 1-800-292-2737
Fax: 1-800-832-9296
Hours: 7:00 a.m. - 5:00 p.m., CST

sales@aymcdonald.com
www.aymcdonald.com

A.Y. McDonald considers the information on this assembly drawing correct when published. Item and option availability, including specifications, are subject to change without notice.

Submitted by: